


pfmmedical

Quality and Experience

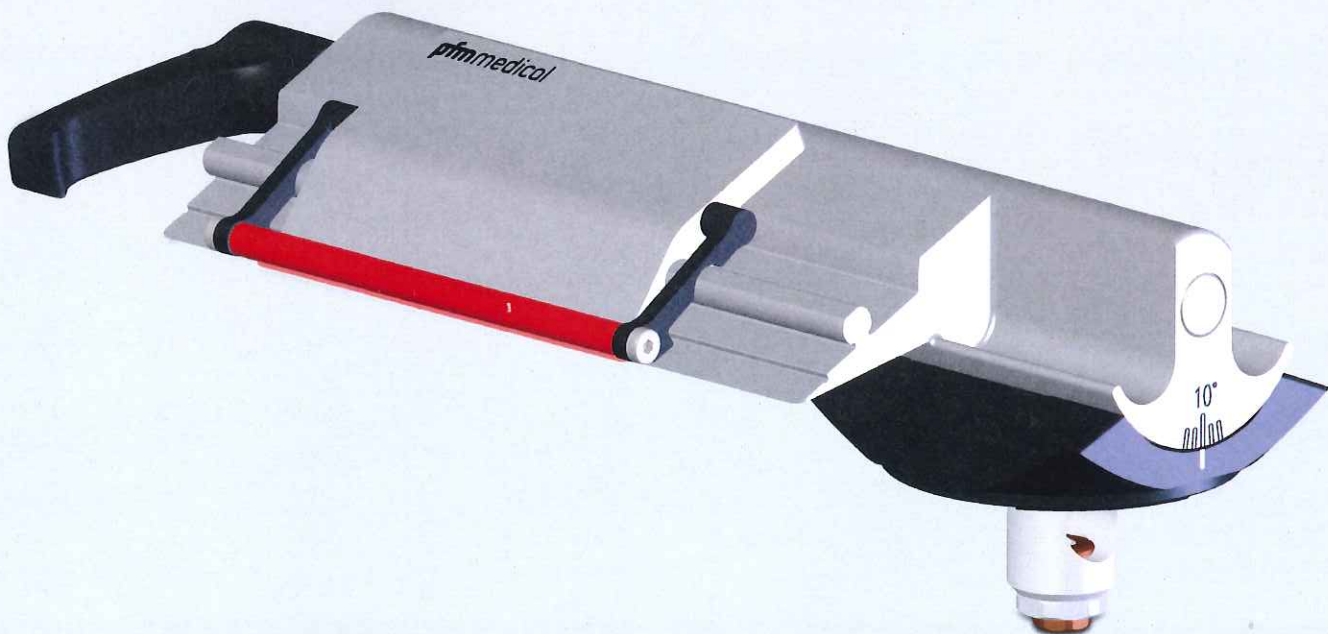
 Made in Germany

Microtome Blade Holder **pfm Blade Holder**

The pfm Blade Holder has been specifically designed for pfm sliding microtomes and offers with the new developed mounting system for disposable microtome blades maximum stability. With the pfm Blade Holder vibrations even when sectioning hard tissue samples are avoided.

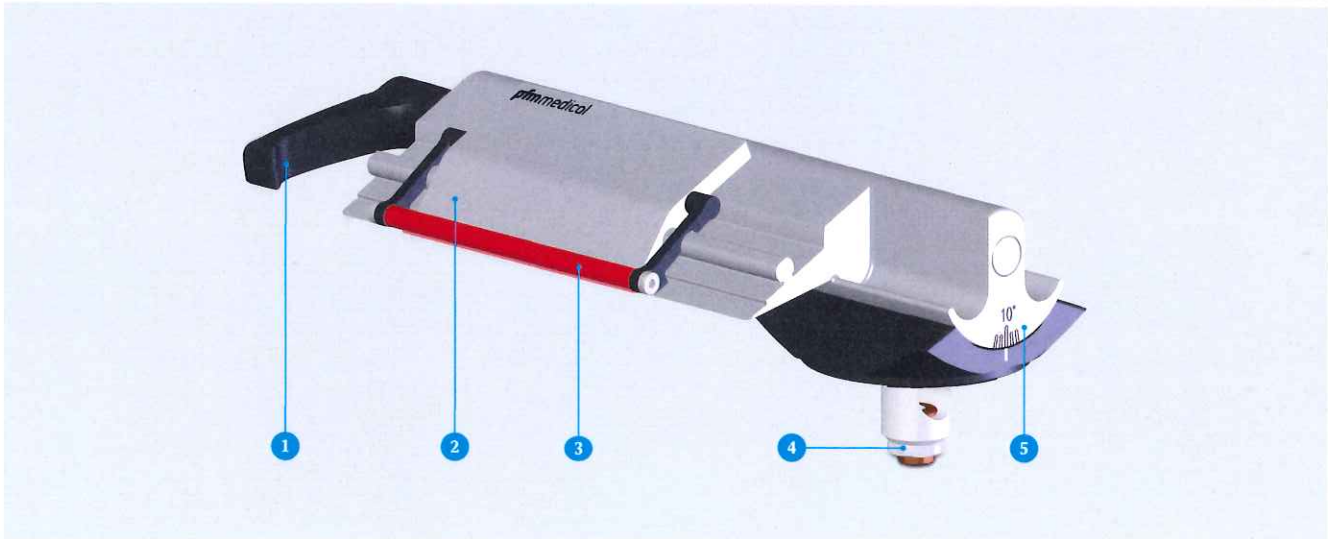
www.pfmmedical.com

NEW



The **pfm Blade Holder** has been specifically designed for pfm sliding microtomes and offers with the new developed mounting system for disposable microtome blades maximum stability. With the pfm Blade Holder vibrations even when sectioning hard tissue samples are avoided.

View



- | | | |
|---------------------------------|----------------------|-----------------------|
| 1 Clamping lever pressure plate | 3 Finger guard | 5 Knife angle scaling |
| 2 Pressure plate | 4 Adapter orientable | |

Details

- ▶ Direct fixing on the microtome with eccentric clamping
- ▶ Movable pressure plate
- ▶ Eccentric fast clamping
- ▶ Adjustable blade angle
- ▶ Adjustable declination
- ▶ Removable and easy to clean
- ▶ Anodized surfaces
- ▶ Finger guard

Technical Data

- ▶ **Dimensions Knife Holder (W/D/H):** 200 x 75 x 45 mm
- ▶ **Length Blade Holder:** 135 mm
- ▶ **Length Pressure Plate:** 75 mm
- ▶ **Material:** stainless steel

Contact

Should you have any questions our Customer Solutions Team is happy to advise you.

service@pfmmedical.com
 T +49 (0)2236 9641-220
 F +49 (0)2236 9641-51

www.pfmmedical.com - Your information source for the products of pfm medical ag.

pfmmedical

pfm medical ag
 Wankelstraße 60
 50996 Köln, Germany

Certified according to
 DIN EN ISO 13485