


pfmmedical

Quality and Experience

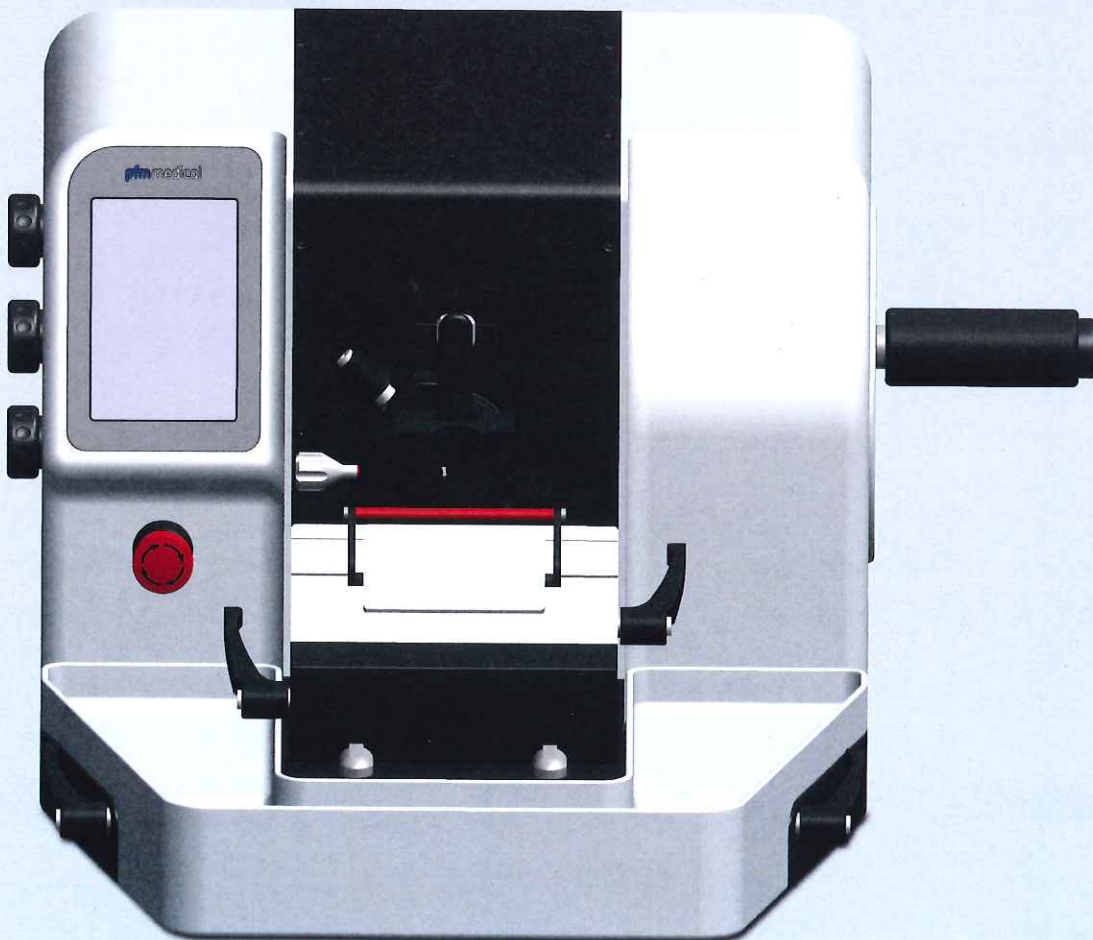
 Made in Germany

Rotary Microtome pfm Rotary 3006 EM

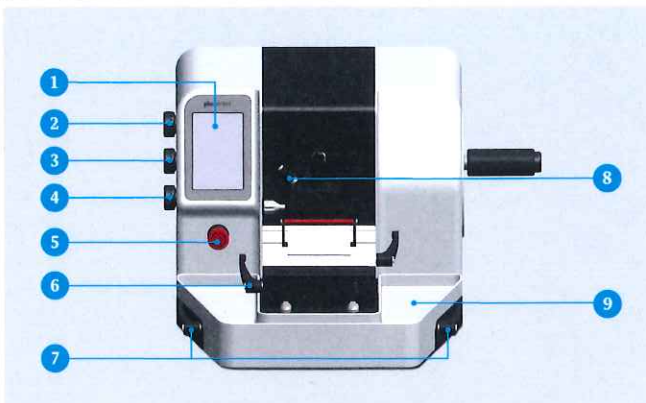
The pfm Rotary 3006 EM is a modern, newly designed fully automated rotary microtome for all requirements in routine, research and industry.

www.pfmmedical.com

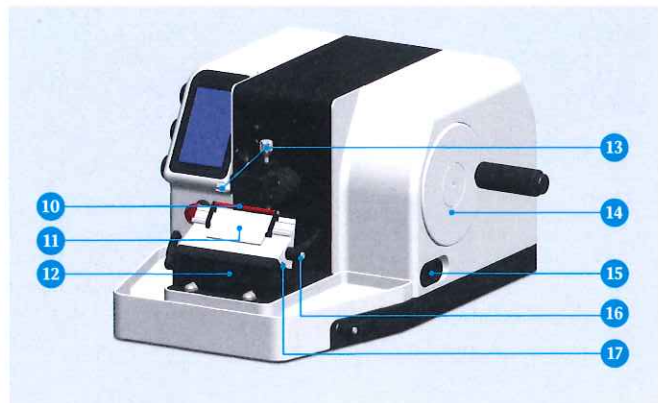
NEW



Views



- | | |
|--------------------------------------|---|
| 1 Display | 6 Clamping lever for clearance angle adjustment |
| 2 Control wheel | 7 Clamping levers for knife holder |
| 3 Control wheel coarse feed/trimming | 8 Clamping lever for object orientation |
| 4 Control wheel speed | 9 Section waste tray |
| 5 Emergency stop | |



- | | |
|---|--------------------------------------|
| 10 Finger guard | 14 Handwheel |
| 11 Pressure plate | 15 Handwheel lock |
| 12 Knife holder | 16 Clamping lever for pressure plate |
| 13 Adjustment screws for object orientation | 17 Knife angle scaling |

Details

- ▶ Ergonomic design
- ▶ Backlash- and maintenance-free horizontal and vertical cross-roller bearing system
- ▶ Smooth-running handwheel with removable handle
- ▶ Handwheel locking system in each position
- ▶ Quick change system for object clamps
- ▶ Simple object orientation
- ▶ All electronic settings and functions are operated by a touch screen
- ▶ Retraction which can be turned off
- ▶ Memory function
- ▶ Section counter
- ▶ Section thickness addition
- ▶ Cutting window
- ▶ Finger guard
- ▶ Foot switch
- ▶ Anodised surface, easy to clean

Technical Data

- ▶ **Section thickness:** 0.5 - 100 µm
 - ▶ **Setting range:** 0.5 - 10 µm in 0.5 µm steps/
10 - 20 µm in 1 µm steps/20 - 50 µm in 5 µm steps/
50 - 100 µm in 10 µm steps
- ▶ **Trimming mode:** 1 - 500 µm in 1 µm steps
- ▶ **Sectioning modes:** manual, continuous, single, touch stroke
- ▶ **Retraction:** 0 - 100 µm in 5 µm steps
- ▶ **Remaining feed indication 1 mm horizontal:** visible and audible
- ▶ **Horizontal range:** 30 mm
- ▶ **Vertical range:** 70 mm
- ▶ **Power supply:** 100/120/230/240 V AC, 50 - 60 Hz
- ▶ **Dimensions (W/D/H):** 450 x 530 x 275 mm
- ▶ **Weight:** 38 kg

Contact

Should you have any questions our Customer Solutions Team is happy to advise you.

service@pfmmedical.com
 T +49 (0)2236 9641-220
 F +49 (0)2236 9641-51

www.pfmmedical.com - Your information source for the products of pfm medical ag.

pfmmedical

pfm medical ag
 Wankelstraße 60
 50996 Köln, Germany

Certified according to
 DIN EN ISO 13485