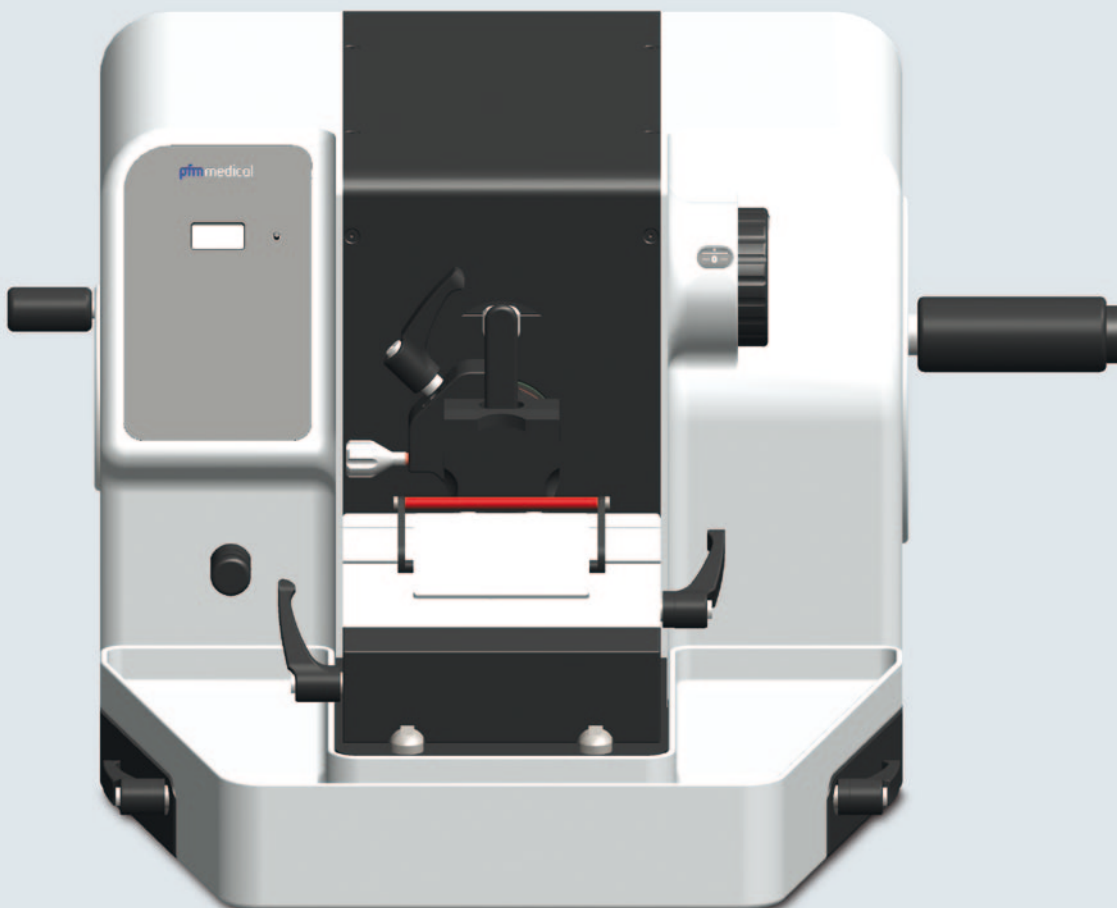

Rotary Microtome
pfm Rotary 3004 M

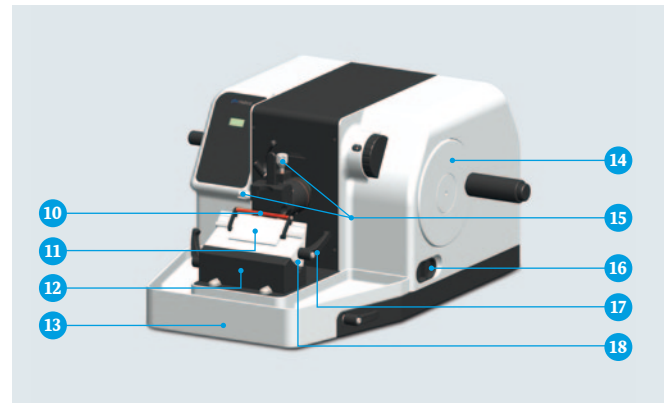
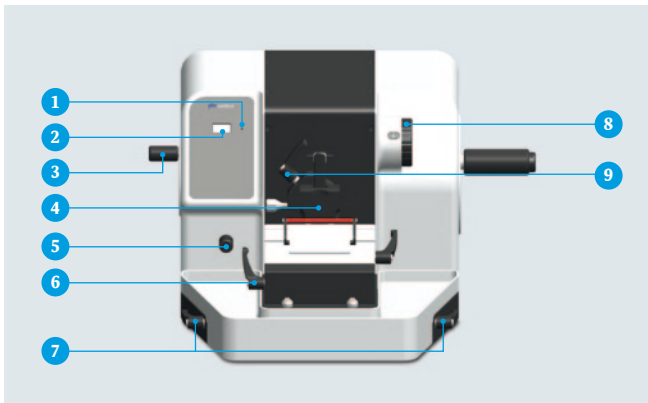
The pfm Rotary 3004 M is a modern, newly designed manual rotary microtome for all paraffin work in routine practice, research and industry.

www.pfmmedical.com

NEW



Views



- | | | | |
|----------------------------------|---|-----------------------|---|
| 1 Reset button (section counter) | 6 Clamping lever for clearance angle adjustment | 10 Finger guard | 15 Adjustment screws for object orientation |
| 2 Section counter display | 7 Clamping levers for knife holder | 11 Pressure plate | 16 Handwheel lock |
| 3 Coarse feed wheel | 8 Section thickness adjustment | 12 Knife holder | 17 Clamping lever for pressure plate |
| 4 Universal cassette clamp | 9 Clamping lever for object orientation | 13 Section waste tray | 18 Knife angle scaling |
| 5 Trimming device | | 14 Handwheel | |

Details

- ▶ Ergonomic design
- ▶ Backlash- and maintenance-free horizontal and vertical cross-roller bearing system
- ▶ Smooth-running handwheel
- ▶ Handwheel locking system in each position
- ▶ Quick change system for object clamps
- ▶ Simple object orientation
- ▶ Retraction system
- ▶ Trimming device
- ▶ Section counter
- ▶ Finger guard
- ▶ Section waste tray
- ▶ Anodised surface, easy to clean

Technical Data

- ▶ **Coarse feed:** manually via coarse feed wheel
- ▶ **Fine feed:** manually via handwheel
- ▶ **Section thickness:** 0.5 - 60 µm
 - ▶ **Setting range:** 0.5 - 10 µm in 0.5 µm steps/10 - 20 µm in 1 µm steps/20 - 60 µm in 5 µm steps
- ▶ **Object orientation:** 10° X/Y/Z
- ▶ **Retraction:** 40 µm
- ▶ **Trimming device:** Two trimming steps 10 µm and 20 µm
- ▶ **Dimensions (W/D/H):** 450 x 530 x 275 mm
- ▶ **Horizontal range:** 30 mm
- ▶ **Vertical range:** 70 mm
- ▶ **Weight:** 38 kg

Contact

Should you have any questions our Customer Solutions Team is happy to advise you.

service@pfmmedical.com
 T +49 (0)2236 9641-220
 F +49 (0)2236 9641-51

www.pfmmedical.com - Your information source for the products of pfm medical ag.

pfmmedical

pfm medical ag
 Wankelstraße 60
 50996 Köln, Germany

Certified according to
 DIN EN ISO 13485