



## HISTOCOLD

*Storage system for a safe transport of histological specimens  
from the surgery room to the PA lab  
(In conformity with the European Regulation 605/2014)*



CODE	DESCRIPTION	PACKAGING	DIMENSION
05-100200	HistoCold Solution Dispenser + printer	1 pcs.	781 x 340 x 1230 mm
05-100205	Labels Roll for HistoCold printer	1 pcs (500 labels)	55 x 110 mm



Manufacturer: Bio-Optica Milano S.p.A.

Date of issue: 29/02/2024  
Rev. 002

### *HistoCold solution dispenser*

Refrigerating dispenser of small dimensions for the dispensing of HistoCold solution. The instrument is provided with a pedal for an easy use. The instrument structure is in AISI 304 steel.

The HistoCold dispenser provides the possibility of dispensing the liquid through the gooseneck tap, which can be activated by a special pedal control for greater hygiene.

Code 05-100200 includes monitor and printer.

### *Instructions for use*

1. Open the HistoCold tank by removing the blue lid;
2. Screw the aspirating tube of the dispenser on the HistoCold tank;
3. Push the pedal to spill the refrigerated solution.

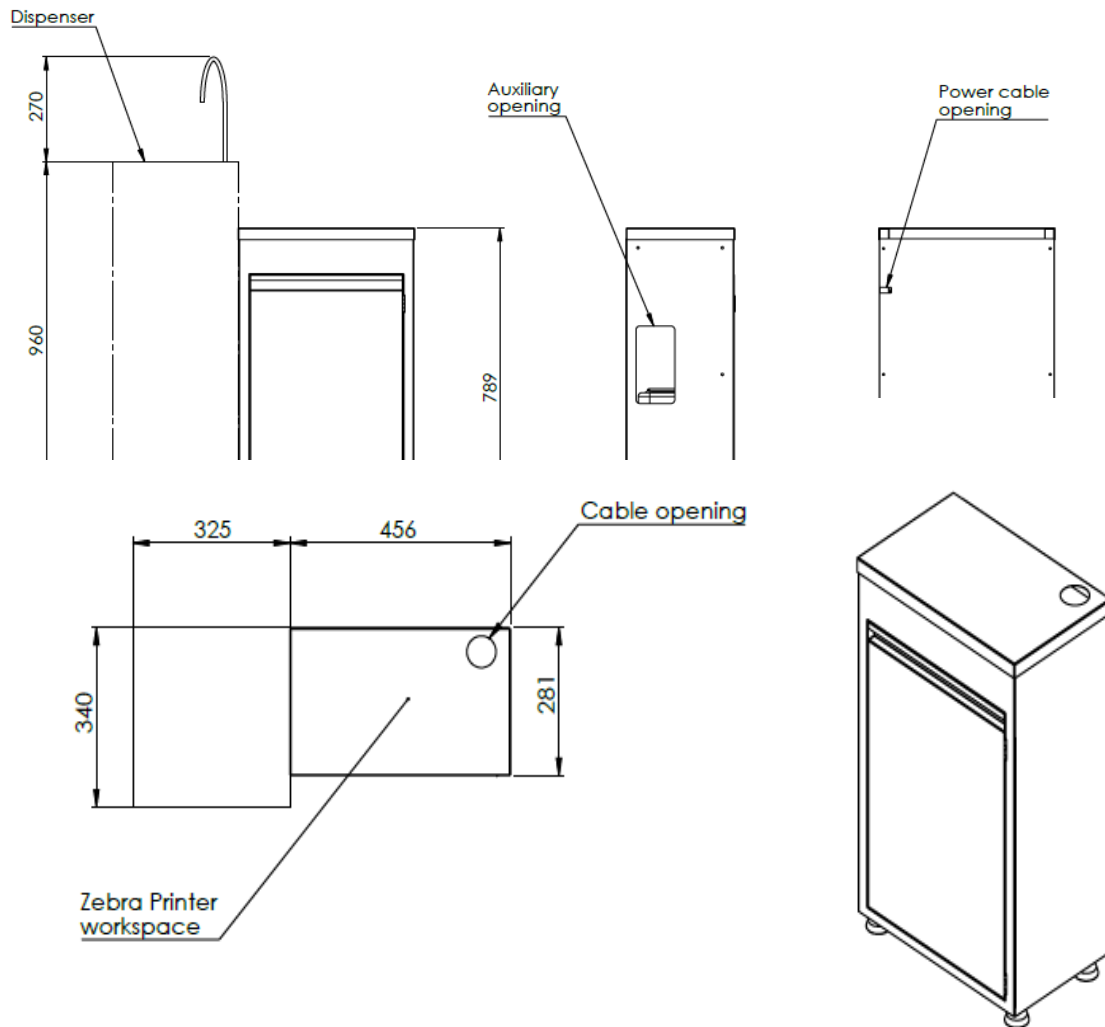


---

Date of issue: 29/02/2024  
Rev. 002

### Technical features

Dimension Features	Dimensions (W x D x H)	781 x 340 x 1230 mm
	Piano di appoggio (W x D)	456 x 340 mm
	Weight	52 Kg
Electrical connections	Power Supply	230 V
	Frequency	50 ÷ 60 Hz
	Power	0,2 kW
Warning and precautions	Product classification	The product is intended for professional laboratory use for healthcare professionals.
	Recommendations	In the event of a serious accident, we recommend that you immediately inform



Date of issue: 29/02/2024

Rev. 002